

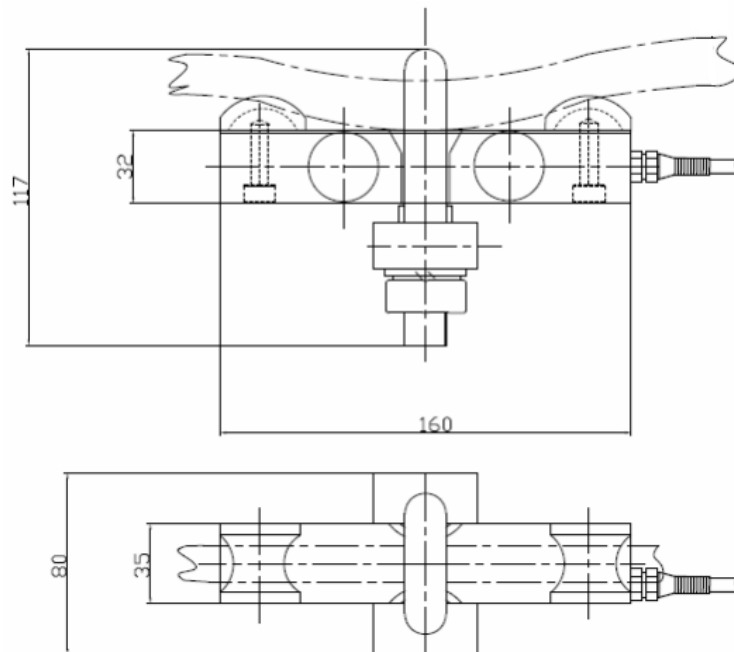


DATASHEET : RC-xT Rope Clamp Load Cells



The RC-xT range of rope clamp load cells are for measuring tension in wire ropes. These load cells have a double ended beam design and are available in 3T, 5T and 10T nominal capacities.

DIMENSIONS:



All dimensions in mm.



TECHNICAL PARAMETERS:

Rated Load:	3T (RC-3T); 5T (RC-5T); 10T (RC-10T)
Rope size:	8-30mm
Sensitivity:	2.0±0.1% mV/V
Combined Error:	±0.05% F.S.
Creep Error (30min):	±0.02% F.S.
Zero Balance	±1 % F.S.
Tco:	±0.02% F.S./10°C
Tc Span	±0.02% F.S./10°C
Input Resistance:	750 ± 5 Ohm
Output Resistance:	702 ± 3 Ohm
Insulation Resistance:	≥ 5000 Ohm
Operating Temperature Range:	-30 - 70°C
Maximum Safe Overload:	150% F.S.
Ultimate Safe Overload:	300% F.S.
Recommended Excitation:	10-12 VDC
Maximum Excitation:	15 VDC
Sealing Class:	IP67
Element Material:	Alloy Steel
Country of Manufacture:	China

WIRING:

Red:	+excitation
Black:	-excitation
Green:	+output
White:	-output



INSTALLATION:

As these load cells are calibrated in situ, they do not need to be torqued up to a specific value. Instead, tighten up the clamp bolts until the back of the rope just touches the body of the load cell. Do not crush the rope.



Figure 1: RCxT installed on a rope