

Controlling motor drives with AccessPack

Overview

Many pieces of equipment are energised/operated starting electric motors driven by variable speed/frequency drives. It is normally quite simple to use AccessPack kit AP100 to control a VFD.

Before ordering, check that:

- The drive can be (or is) configured for “three wire control” ie a normally open Start switch, a normally closed Stop switch and an optional normally open Reverse switch. If you are unsure, contact us with the make and model of your drive, we may be able to help you with configuration settings.
- The inputs of the drive can be activated by pulling low to the same potential as the 0V or Gnd pin of the analogue speed input.
- The excitation voltage of the analogue input is not more than 12VDC.

A typical connection to a VFD that meets these criteria is shown in figure 1.

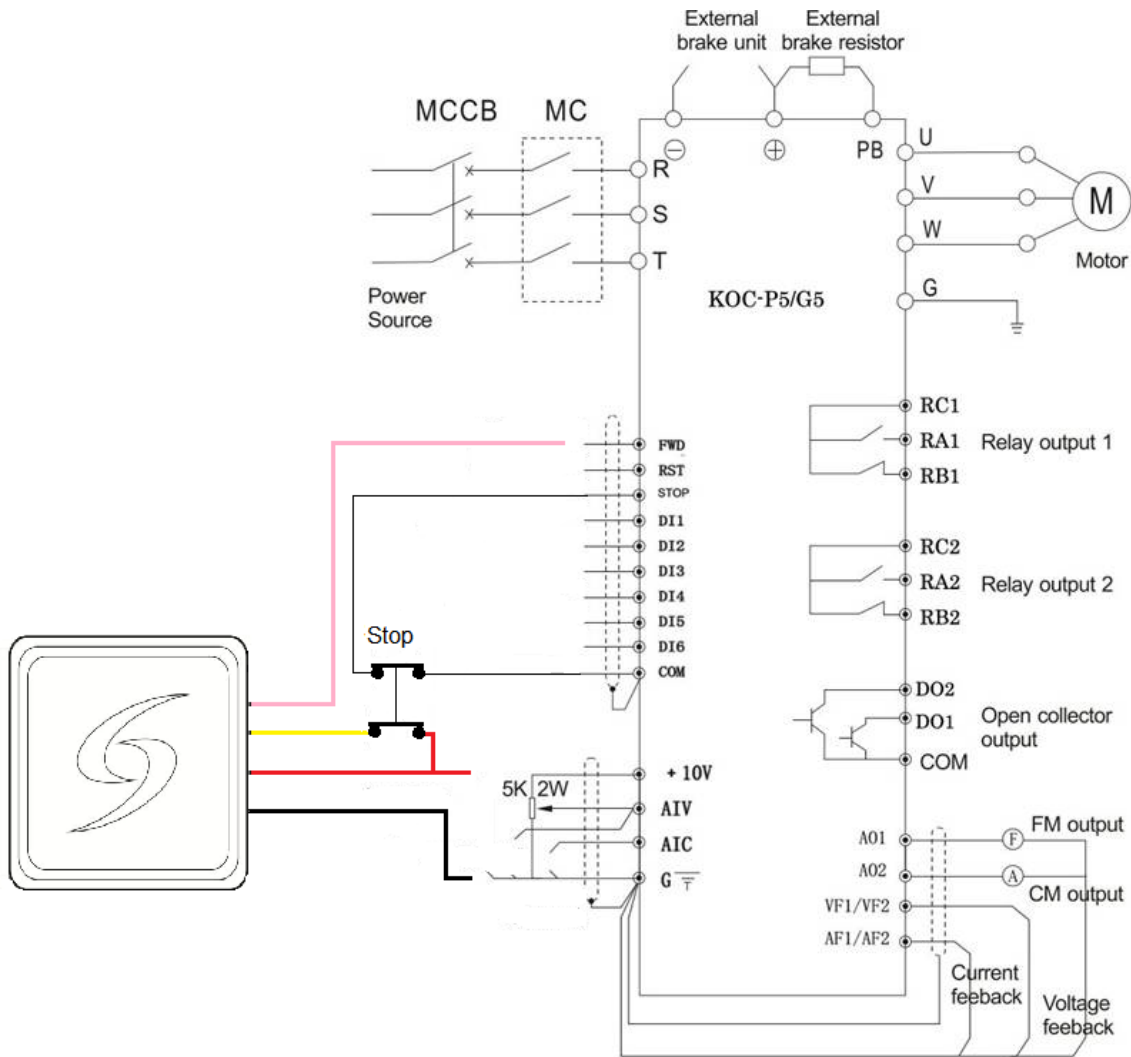


Figure 1.

If the common pin of the motion inputs is not at the same potential as the ground or 0V pin of the analogue speed input, then specify that you need the relay option for a VFD when ordering AP100.

The wiring diagram then becomes:

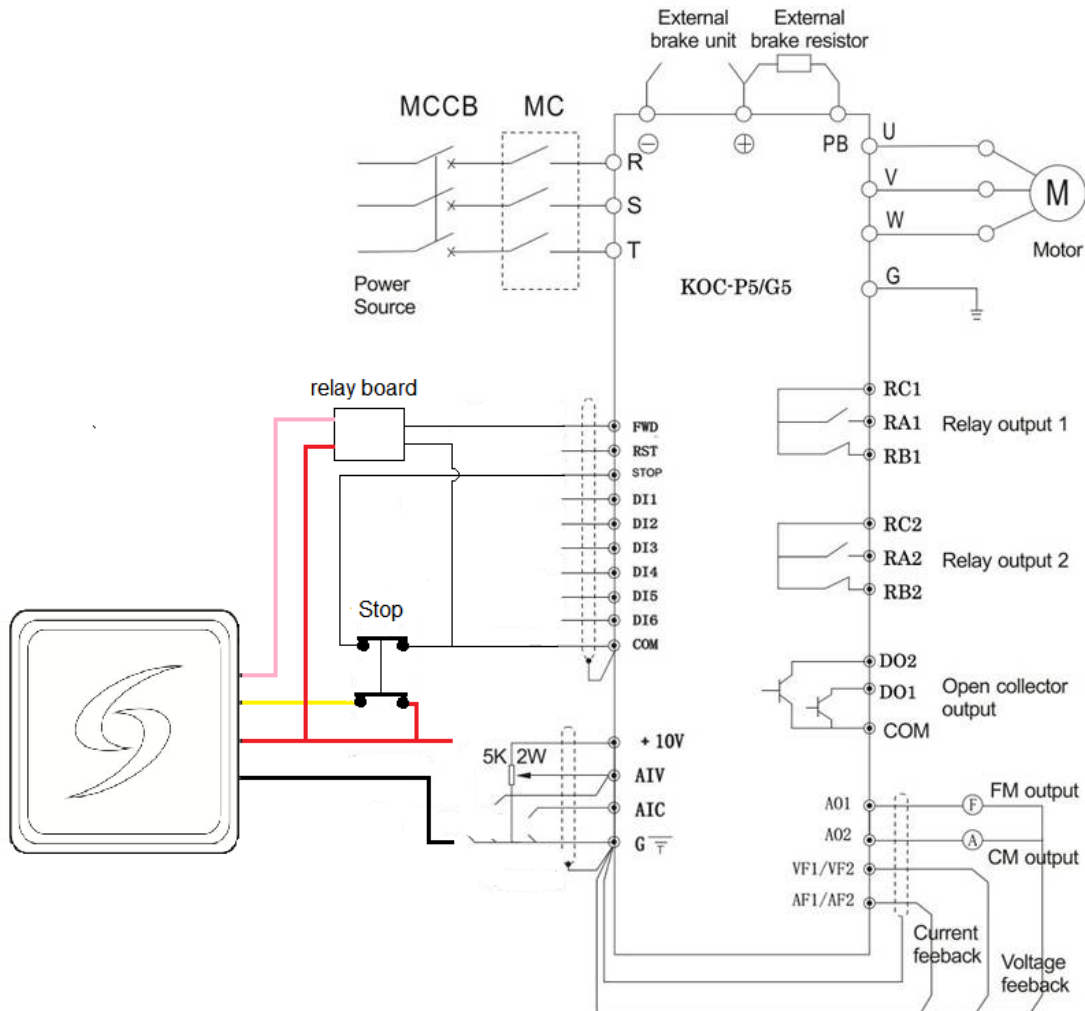


Figure 2